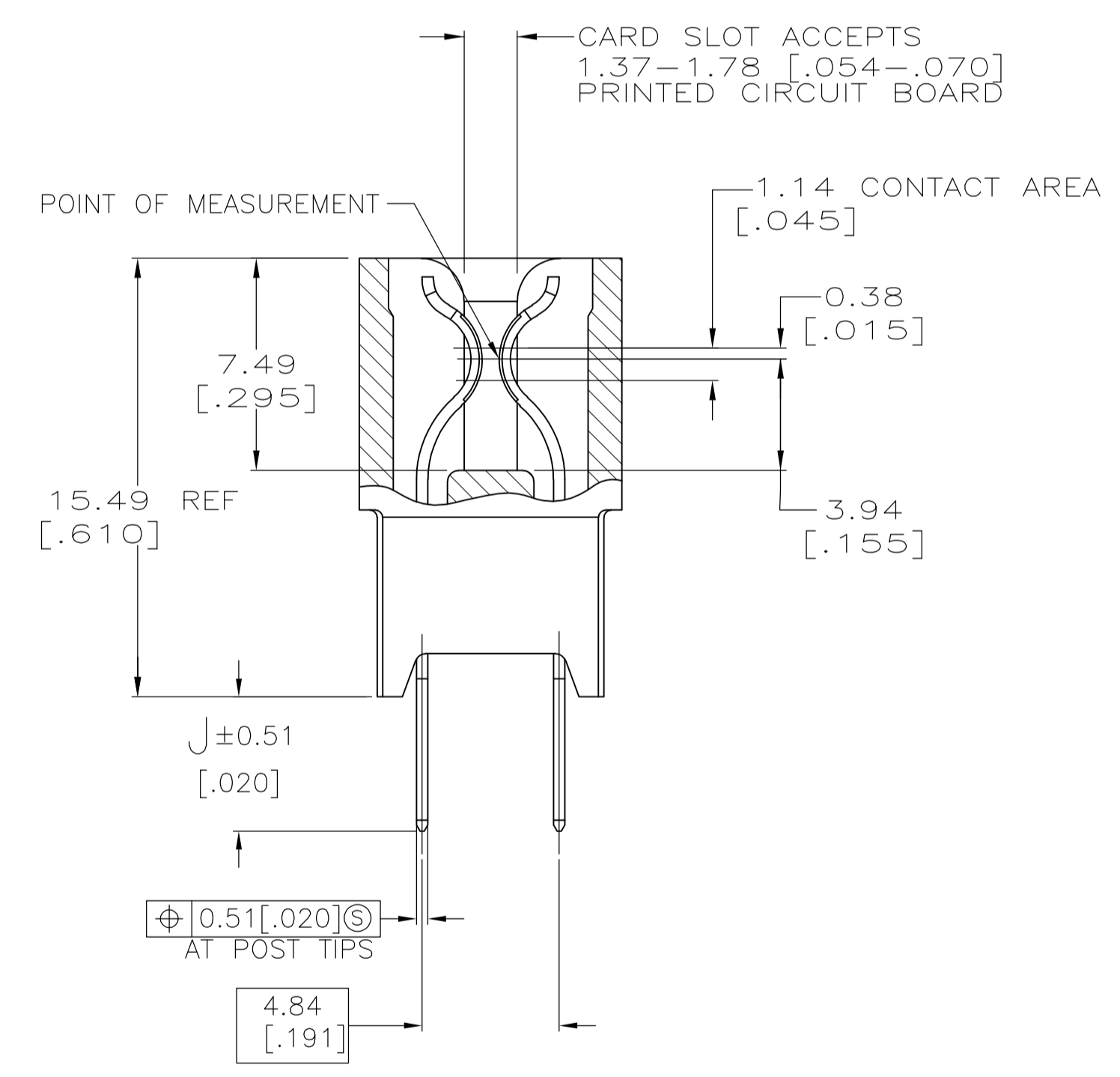
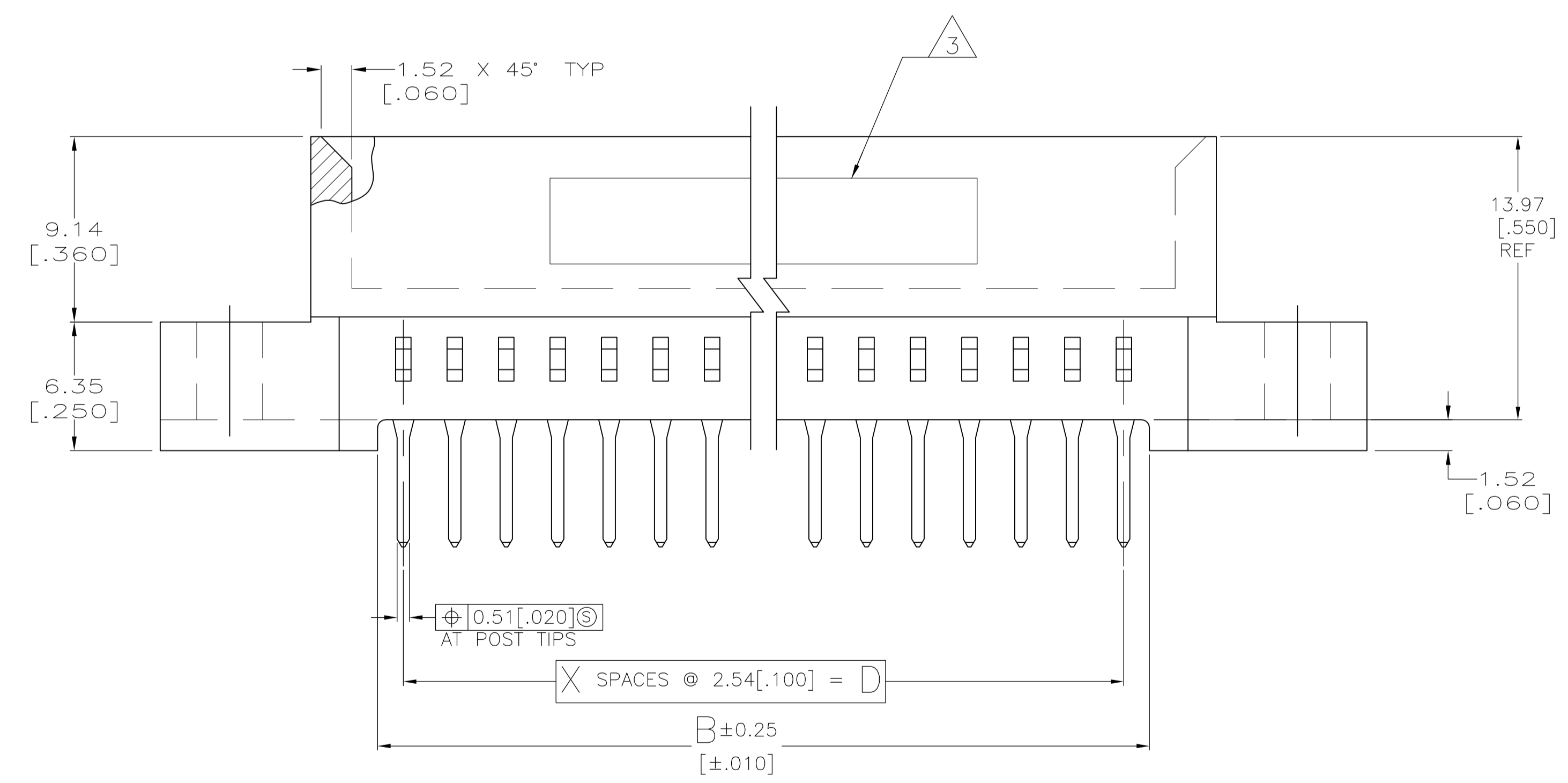
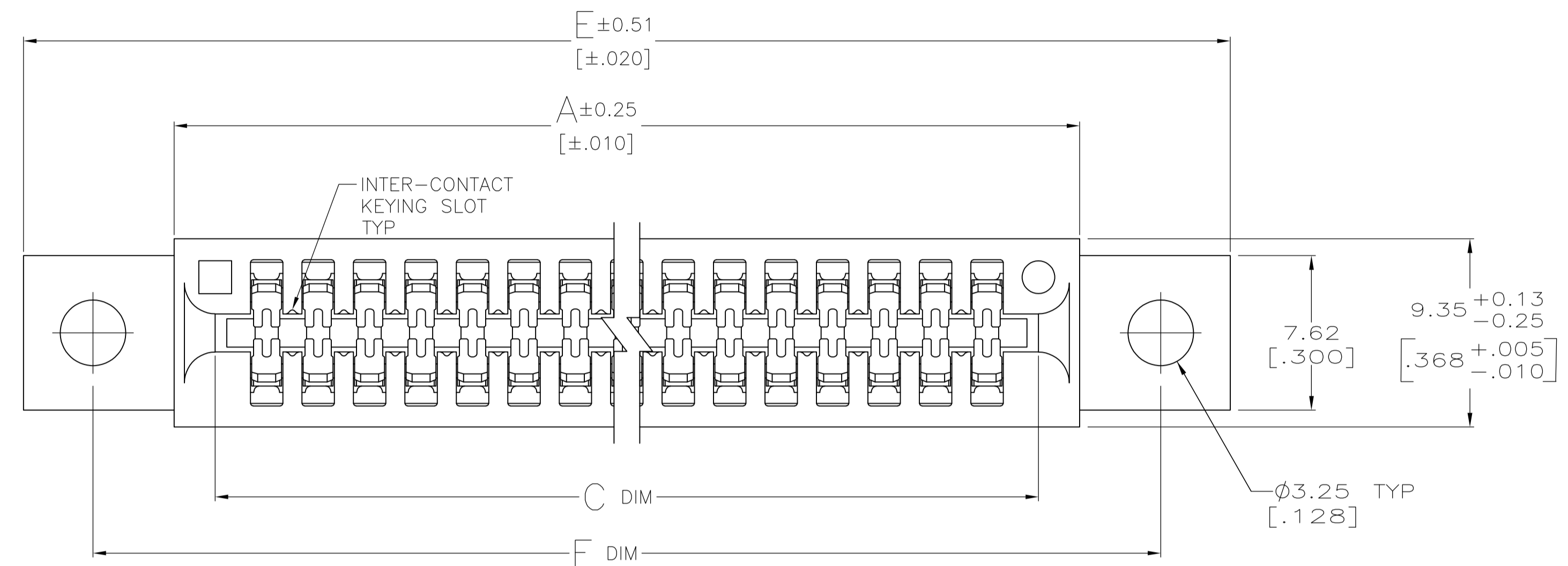


- MATERIAL:
HOUSING: GLASS FILLED POLYESTER; COLOR: BLACK.
CONTACT: PHOS BRONZE
- FINISH:
0.00076[.000030] MIN IN CONTACT AREA,
0.00254[.000100] MIN TIN-LEAD ON SOLDER POSTS, ALL
OVER 0.00127[.000050] MIN NICKEL
- AMP LOGO, TE PART NUMBER, DATE CODE AND CSA LOGO INK
STAMPED WHITE (HOT STAMPED OR LAZER PRINTED) IN THE APPROXIMATE
AREA SHOWN, EITHER SIDE PERMISSABLE, WHEN HOUSING SIZE PERMITS
- RECOMMENDED PCB FINISHED HOLE DIAMETER = 1.02±0.08
[.040±.003]



OBSOLETE	4-530841-5
OBSOLETE	4-530841-3
OBSOLETE	2-530841-5
OBSOLETE	530841-3

PART NUMBER

4.75 [.187]	90.80 [3.575]	97.41 [3.835]	73.66 [2.900]	78.74 [3.100]	76.20 [3.000]	82.80 [3.260]	29	30	1-530841-8
3.18 [.125]	141.60 [5.575]	148.21 [5.835]	124.46 [4.900]	129.54 [5.100]	127.00 [5.000]	133.60 [5.260]	49	50	1-530841-1
3.18 [.125]	78.10 [3.075]	84.71 [3.335]	60.96 [2.400]	66.04 [2.600]	63.50 [2.500]	70.10 [2.760]	24	25	530841-5
3.18 [.125]	52.70 [2.075]	59.31 [2.335]	35.56 [1.400]	40.64 [1.600]	38.10 [1.500]	44.70 [1.760]	14	15	530841-2
J	F	E	D	C	B	A	X	NO OF POSN	PART NUMBER

THIS DRAWING IS A CONTROLLED DOCUMENT.

DIMENSIONS: mm [INCHES]	TOLERANCES UNLESS OTHERWISE SPECIFIED:	DW: RB/L.A.MAYER	OB: RB/L.A.MAYER	DATE: 08MAR2008	NAME: Tyco Electronics Corporation
0 PLC ± -	1 PLC ± -	2 PLC ± 0.13 [005]	3 PLC ± -	4 PLC ± -	APVD: S.FLICKINGER
ANGLES ± °	FINISH: SEE NOTE 2	OB: A.W.FRANTUM	OB: S.FLICKINGER	DATE: 08MAR2008	NAME: S.FLICKINGER
MATERIAL: SEE NOTE 1	FINISH: SEE NOTE 2	PRODUCT SPEC: 108-9039	APPLICATION SPEC: 114-13018	SIZE: A1	SCALE: 5:1
		RESTRICTED TO: -	WEIGHT: -	CAGE CODE: 00779	DRAWING NO: 530841
		CUSTOMER DRAWING		SHEET: 1 OF 1	REV: AB